

Hydrostatic Pump Repair
 www.hydrostaticpumprepair.net
 Phone: 800-361-0028
 Email: sales@hydrostatic-transmission.com



BOSCH

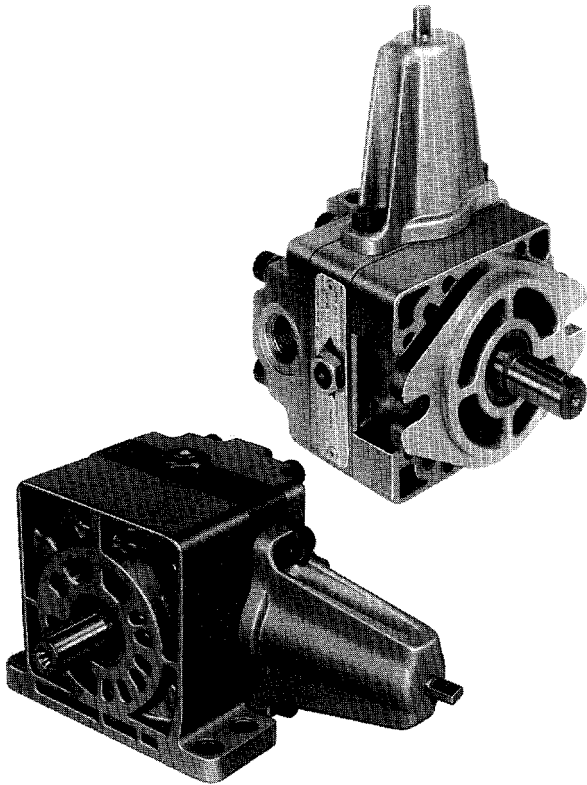
REPAIR PARTS

VARIABLE VOLUME VANE PUMP SPRING GOVERNED

MODEL PSQ

**500 PSI
 1000 PSI
 1500 PSI
 7.5 GPM
 & 9.5 GPM**

SUBPLATE AND FLANGE MOUNTED

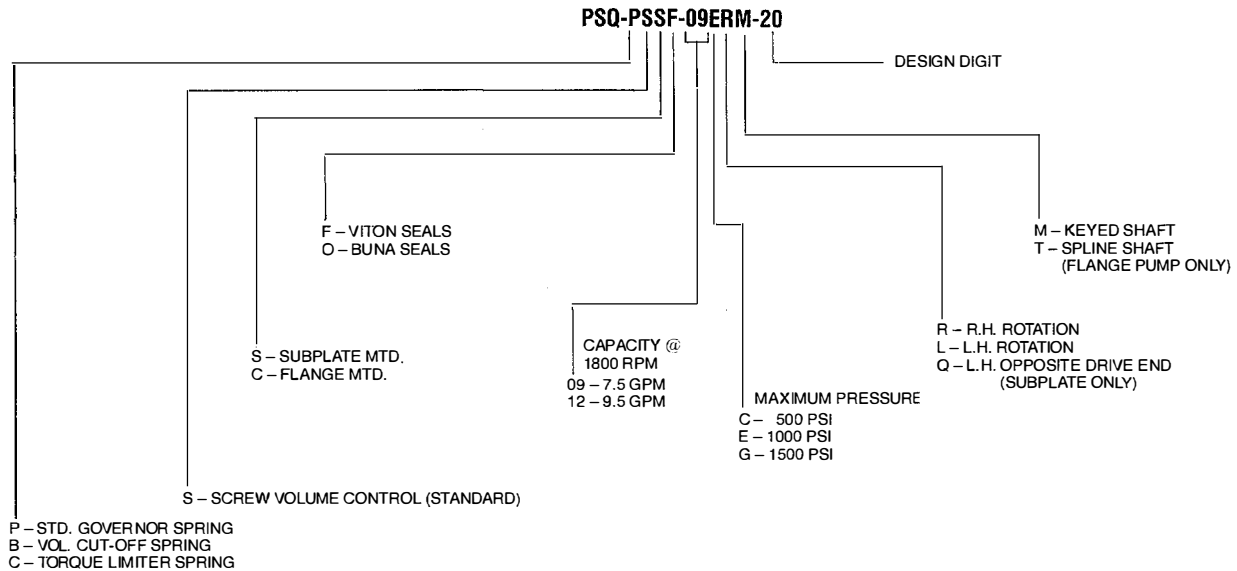


WHEN ORDERING PARTS, FURNISH:

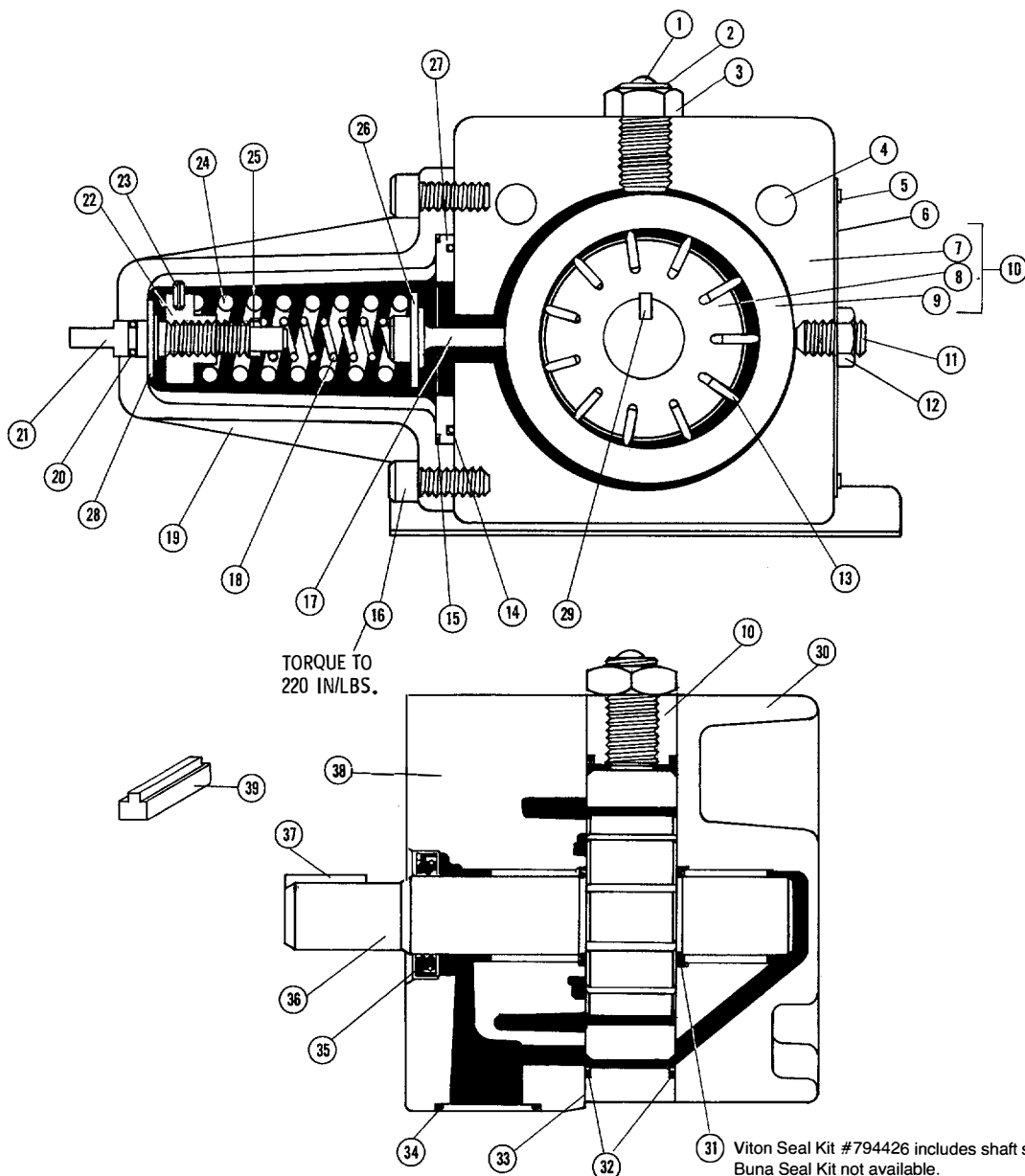
1. COMPLETE CODE NUMBER
2. PARTS REQUIRED
3. SHIPPING INSTRUCTIONS

WRITE FACTORY FOR NEAREST AUTHORIZED PARTS AND SERVICE CENTER.

PUMP CODING



SUBPLATE MOUNTED

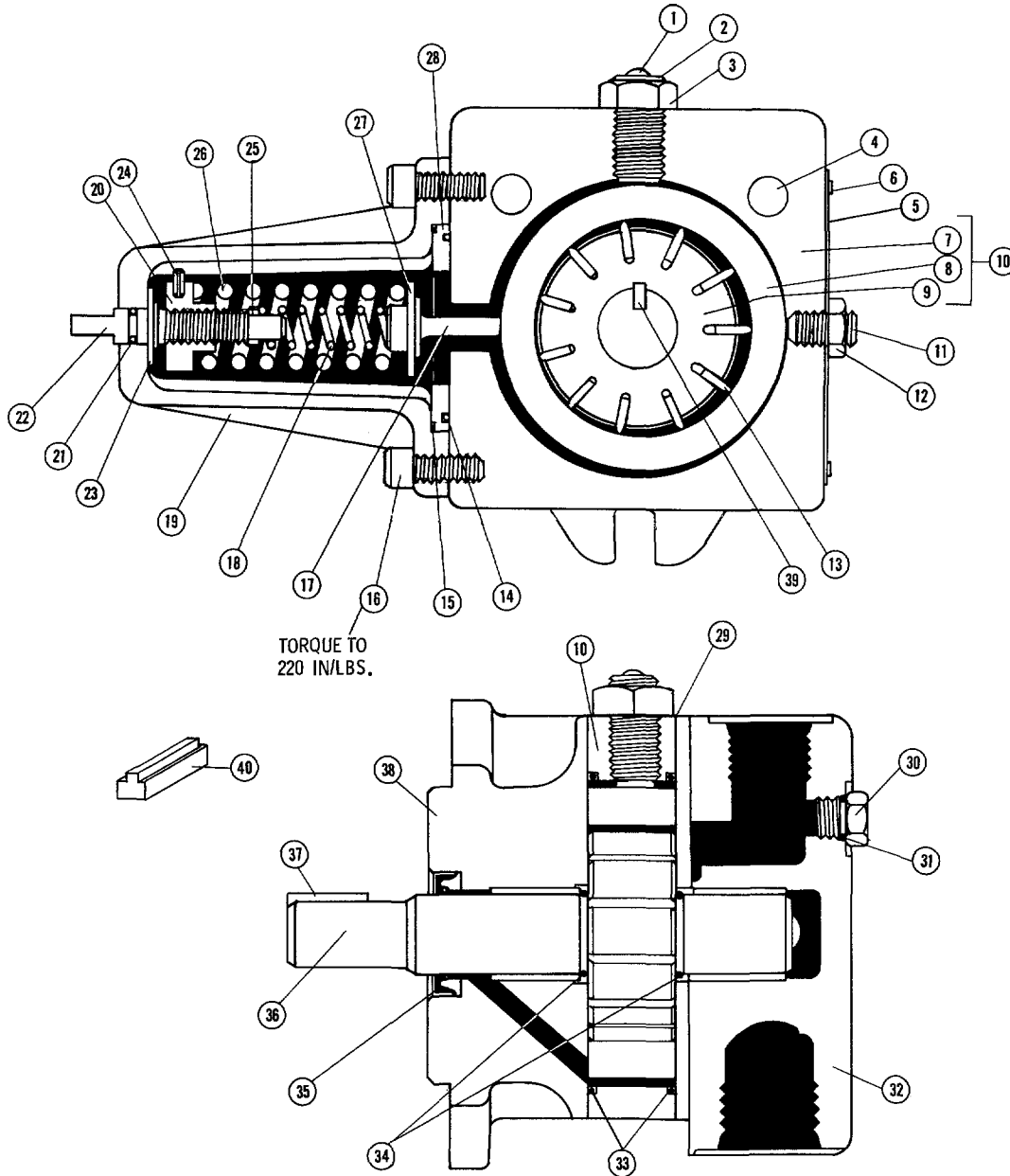


Ref. No.	Part No.	Description	Qty.
1	492440	Delrin Ball	1
2	309178	Thrust Screw	1
3	492439	Lock Nut	1
4	491842	Dowel Pin	2
5	491865	Rivet	2
6	492637	Nameplate	1
7	See	Center Body	1
8	Item	Rotor	1
9	#10	Pressure Ring	1
10	778544	Matched Rotating Group – 7.5 GPM	1
10	778545	Matched Rotating Group – 9.5 GPM	1
11	491845	Volume Control Screw	1
12	401011	Lock Nut	1
13	778277	Vane Set	1
14	407105	O-Ring, 1/16 × 1-1/2 × 1-5/8	1
15	406712	O-Ring, 3/32 × 1-11/16 × 1-7/8	1
16	400798	Screw, 5/16-18 × 3/4	2
17	309177	Steel Spring Seat	1
18	408706	Spring	1
19	222823	Governor Housing	1
20	406270	O-Ring, 1/16 × 1/4 × 3/8	1
21	309038	Adjusting Screw	1
22	309039	Adjustable Spring Seat	1

Ref. No.	Part No.	Description	Qty.
23	402265	Roll Pin	1
24	492469	Spring, Std. Governor	1
24	492500	Spring, 'B' Governor	1
24	492471	Spring, 'C' Governor	1
25	404864	Roll Pin	1
26	491872	Washer	1
27	222824	Seal Plate	1
28	492468	Thrust Washer	1
29	492155	Woodruff Key	1
30	725530	End Body Assembly (R.H. Rotation)	1
30	725549	End Body Assembly (Viton) (L.H. Opposite Drive)	1
31	492150	Retaining Ring	2
32	492011	O-Ring, .070 × 3.30 × 3.44	2
33	491902	Shim (.0015)	1
34	725544*	Seal Kit (Viton)	1
35	493205	Shaft Seal (Viton)	1
35	492299	Expansion Plug (Opposite Drive)	1
36	309204	Keyed Shaft	1
37	403258	Key	1
38	725551	Front Body Assembly (Viton) (R.H. Rotation)	1
38	725537	Front Body Assembly (L.H. Opposite Drive)	1
39	492163	Key (Retrofit PSQ to PVQ)	1

*Contains (3) 406555 O-ring 3/32 x 13/16 x 1 and Installation Page.

FLANGE MOUNTED

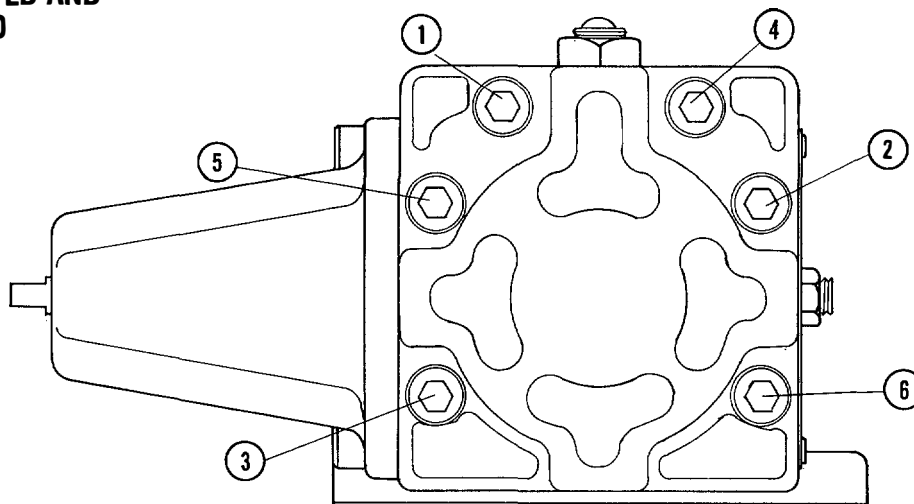


Viton Seal Kit #794426 includes shaft seal which is also part of body assembly.
Buna Seal Kit not available.

Ref. No.	Part No.	Description	Qty.	Ref. No.	Part No.	Description	Qty.
1	492440	Delrin Ball	1	23	492468	Thrust Washer	1
2	309178	Thrust Screw	1	24	402265	Roll Pin	1
3	492439	Lock Nut	1	25	404864	Roll Pin	1
4	491842	Dowel Pin	2	26	492469	Spring, Standard Governor	1
5	492637	Nameplate	1	26	492500	Spring, 'B' Governor	1
6	491865	Rivet	2	26	492471	Spring, 'C' Governor	1
7	See	Center Body	1	27	491872	Washer	1
8	Item	Pressure Ring	1	28	222824	Seal Plate	1
9	#10	Rotor	1	29	492204	Shim (.0020)	1
10	778544	Matched Rotating Group - 7.5 GPM	1	30	355098	Plug, #4 SAE	1
10	778545	Matched Rotating Group - 9.5 GPM	1	31	406879	O-Ring, #4 SAE (-904)	1
11	491845	Volume Control Screw	1	32	725534	End Body Assembly (R.H. Rotation)	1
12	401011	Lock Nut	1	32	725535	End Body Assembly (L.H. Rotation)	1
13	778277	Vane Set	1	33	492011	O-Ring, .070 x 3.30 x 3.44	2
14	407105	O-Ring, 1/16 x 1-1/2 x 1-5/8	1	34	492150	Retaining Ring	2
15	406712	O-Ring, 3/32 x 1-11/16 x 1-7/8	1	35	493205	Shaft Seal (Viton)	1
16	400798	Screw, 5/16-18 x 3/4	2	36	309204	Keyed Shaft	1
17	309177	Steel Spring Seat	1	36	309205	Splined Shaft	1
18	408706	Spring	1	37	403258	Key	1
19	222823	Governor Housing	1	38	725548	Front Body Assembly (Viton)	1
20	309039	Adjustable Spring Seat	1	39	492155	Woodruff Key	1
21	406270	O-Ring, 1/16 x 1/4 x 3/8	1	40	492163	Key (Retrofit PSQ to PVQ)	1
22	309038	Adjusting Screw	1	-	355097	Plug, #6 SAE (Not Shown)	1
				-	406600	O-Ring, #6 SAE (-906) (Not Shown)	1

TORQUE SEQUENCE

SUBPLATE MOUNTED AND FLANGE MOUNTED



Notes: Bolt torquing must be done in sequence below to avoid damaging covers.

(1) Torque sequence for Cap Screws:

(A) Torque 6 screws on rear cover to 50-100 in.-lbs. in numerical order as shown.

(B) Torque 6 screws on rear cover to 360 ± 40 in.-lbs. in numerical order as shown.

(2) Prior to assembly, coat both faces of rotor with lubricant 492273 (STP)

(3) 492440 ball is to be peened into socket after test, and thrust screw setting rechecked.

SUBPLATE MOUNTED

Ref. No.	Part No.	Description	Qty.
1,4	400814	Cap Screws	2
2,3,5,6	400807	Cap Screws	4

FLANGE MOUNTED

Ref. No.	Part No.	Description	Qty.
1,4	400816	Cap Screws	2
2,3,5,6	400815	Cap Screws	4

9 535 233 265
HPUS RSB 003/6 US (1.96)

