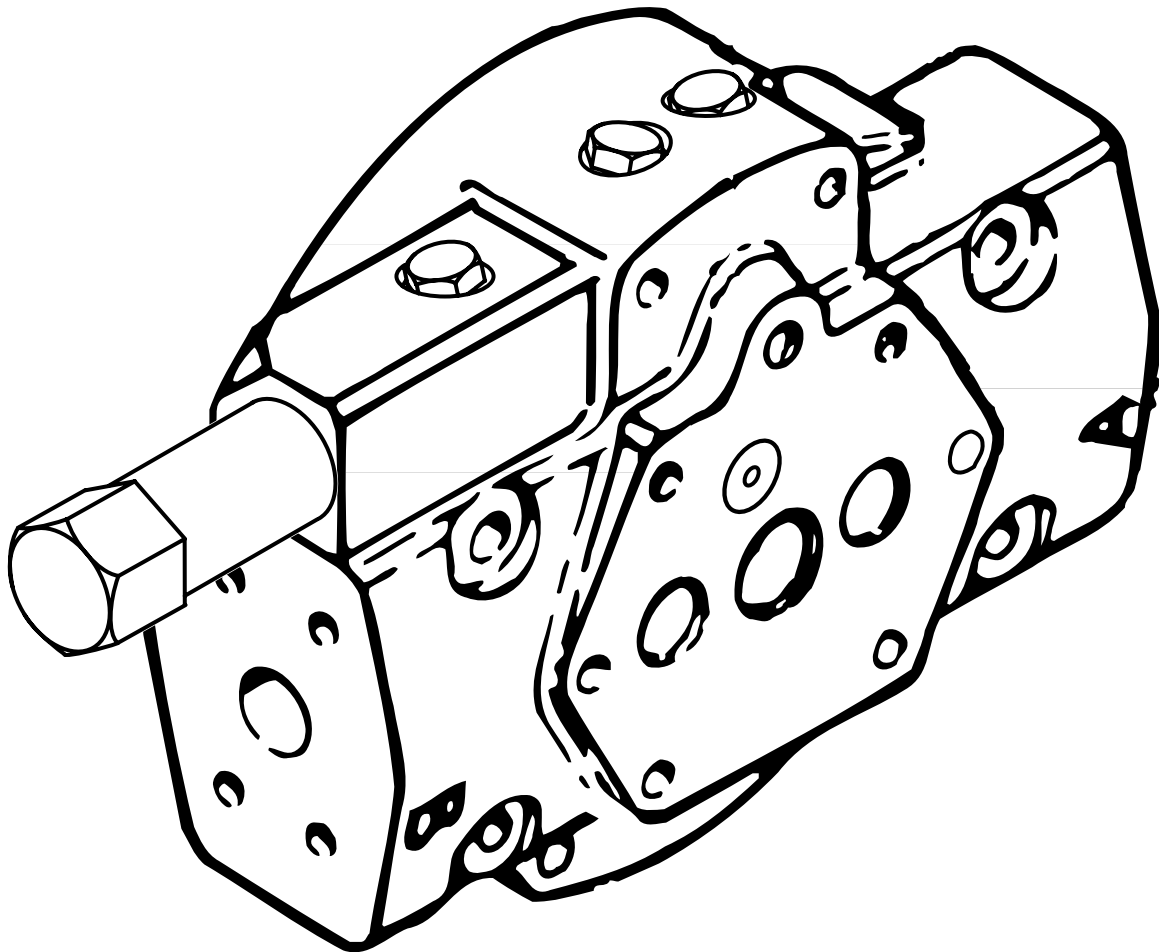




Parts Information



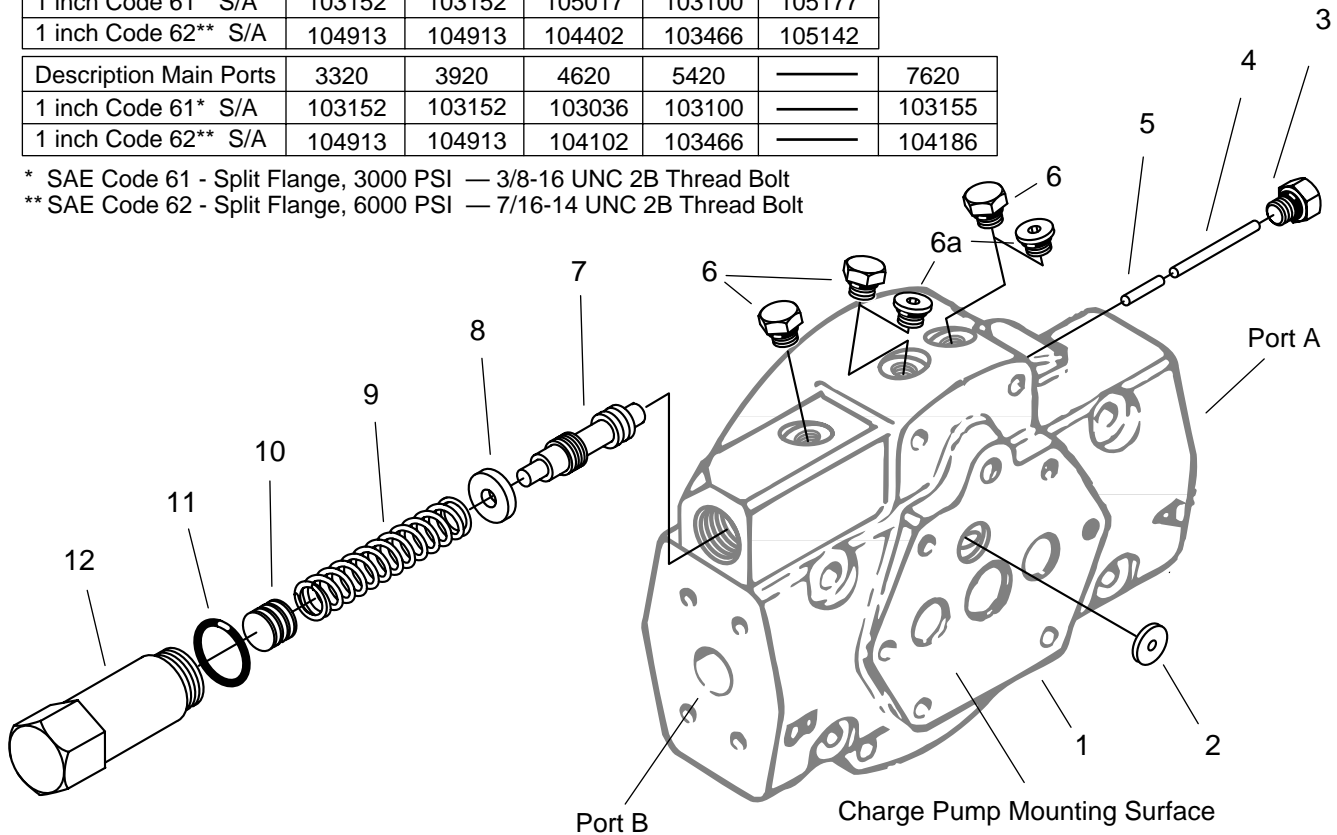
**IPOR End Cover –
Models 3320 - 7620 and 3321 - 6421**

IPOR End Cover S/A Number

Description Main Ports	3321	3921	4621	5421	6421
1 inch Code 61* S/A	103152	103152	105017	103100	105177
1 inch Code 62** S/A	104913	104913	104402	103466	105142

Description Main Ports	3320	3920	4620	5420	7620
1 inch Code 61* S/A	103152	103152	103036	103100	103155
1 inch Code 62** S/A	104913	104913	104102	103466	104186

* SAE Code 61 - Split Flange, 3000 PSI — 3/8-16 UNC 2B Thread Bolt
 ** SAE Code 62 - Split Flange, 6000 PSI — 7/16-14 UNC 2B Thread Bolt



Ref. No.	Part Number						Description	Qty.
	Model 33	Model 39	Model 46	Model 54	Model 64	Model 76		
1	NSS	NSS	NSS	NSS	NSS	NSS	End Cover	1
2	101619-XXX	101619-XXX	101619-XXX	101619-XXX	101619-XXX	101619-XXX	Orifice ***	1
3	25706-002	25706-002	25706-002	25706-002	25706-002	25706-002	Plug/O-ring	1
4	103039-138	103039-138	103039-138	103039-150	103039-150	103039-188	Needle Roller - 5/32 Dia.	1
5	103039-056	103039-056	103039-056	103039-088	103039-088	103039-088	Needle Roller - 5/32 Dia.	1
6	25090-002	25090-002	25090-002	25090-002	25090-002	25090-002	Plug/O-ring	3 or 1
6a	25083-002	25083-002	25083-002			25083-002	Plug/O-ring	2
7	103034	103034	103034	103034	103034	103034	Override Spool	1
8	103038	103038	103038	103038	103038	103038	Spring Spacer	1
9	104137	104137	104137	104137	104137	104137	Spring	1
10	990395-000	990395-000	990395-000	990395-000	990395-000	990395-000	Valve Shim Kit †	1
11	8785-010	8785-010	8785-010	8785-010	8785-010	8785-010	O-ring	1
12	103033	103033	103033	103033	103033	103033	Spring Box	1

NSS - Not Sold Separately

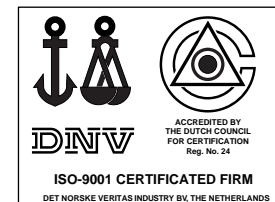
*** Orifice Dia. .028 .036 .044 .052 .057 .065 .073 .094 .102 Stake 6 Places on Outer Edge for Retention.

† The Pressure Range is Shim Adjustable from 1000 to 6000 PSI [69-414 Bar] (Shim .018 = 500 PSI [.46 = 34 Bar])

Eaton Corporation
Hydraulics Division
 15151 Hwy. 5
 Eden Prairie, MN 55344
 Telephone 612/937-9800
 Fax 612/937-7130

Eaton Ltd.
Hydraulics Division
 Glenrothes, Fife
 Scotland, KY7 4NW
 Telephone 01-592-771-771
 Fax 01-592-773-184

Eaton GmbH
Hydraulics Products
 Am Schimmersfeld 7
 40880 Ratingen, Germany
 Telephone 02102-406-830
 Fax 02102-406-800



Quality System Certified
 Products in this catalog are manufactured
 in an ISO-9001-certified site.

<http://www.eaton.com>

Form No. 6-622
 January, 1990

Copyright Eaton Corporation, 1990
 All Rights Reserved
 Printed in USA

