

SEE PAGE 2
FOR CHARGE PUMP OPTIONS

BULLETIN 9812, REV. C
SERIES 30
VARIABLE DISPLACEMENT PUMP
N/MANUAL DISPLACEMENT CONTROL VALVE

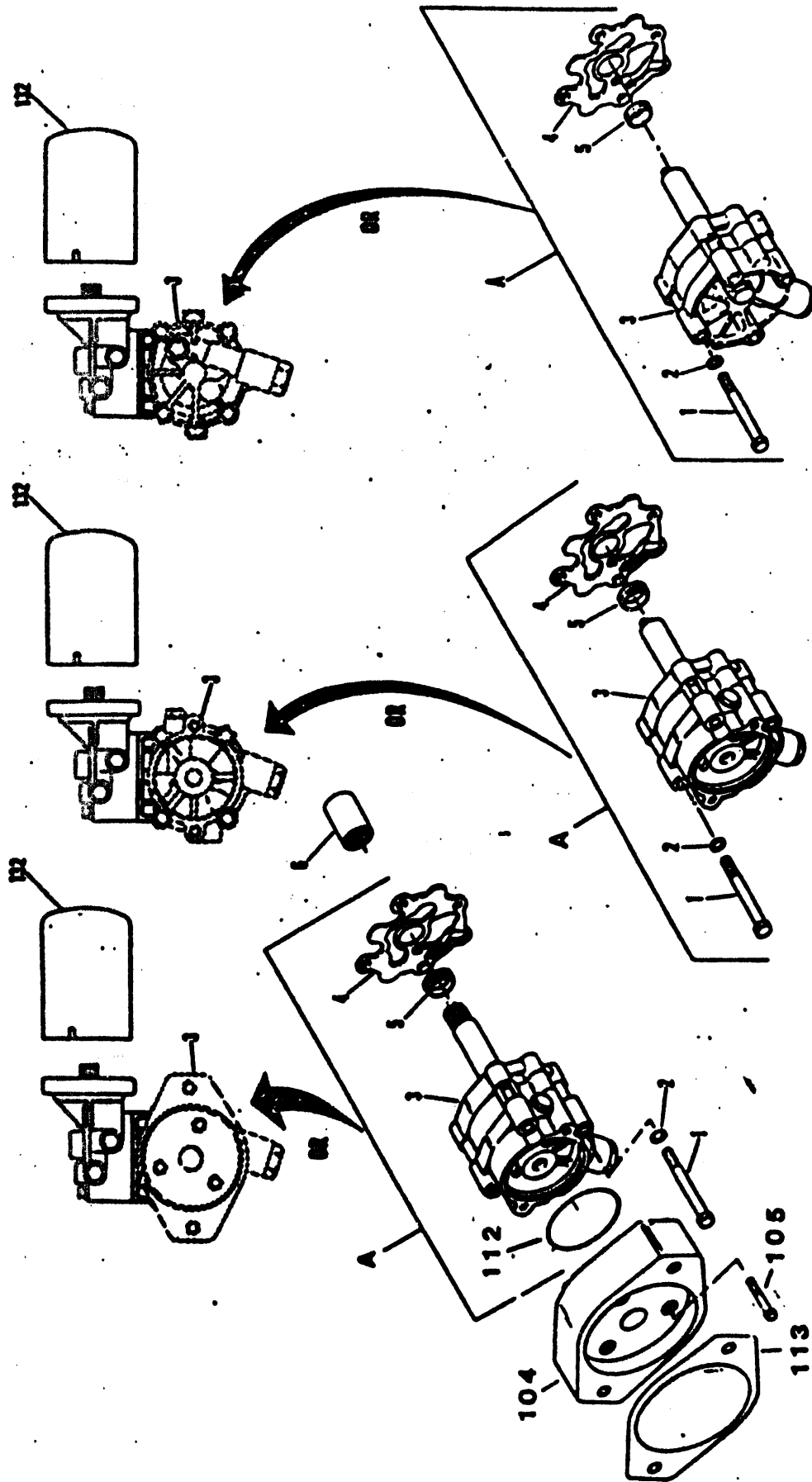
L (E/D CAPKIT)

Sundstrand Hydro-Transmission

world's most complete family

unit of Sundstrand Corporation

of hydrostatic transmissions and control systems



SEE PAGE 1
FOR PUMP

SERIES 30 CHARGE PUMP OPTIONS

A - STANDARD W/OPTIONAL PRESSURE FILTRATION

B - SAE "A" MTG FLANGE W/OPTIONAL PRESSURE FILTRATION

C - SAE "B" MTG FLANGE W/OPTIONAL PRESSURE FILTRATION